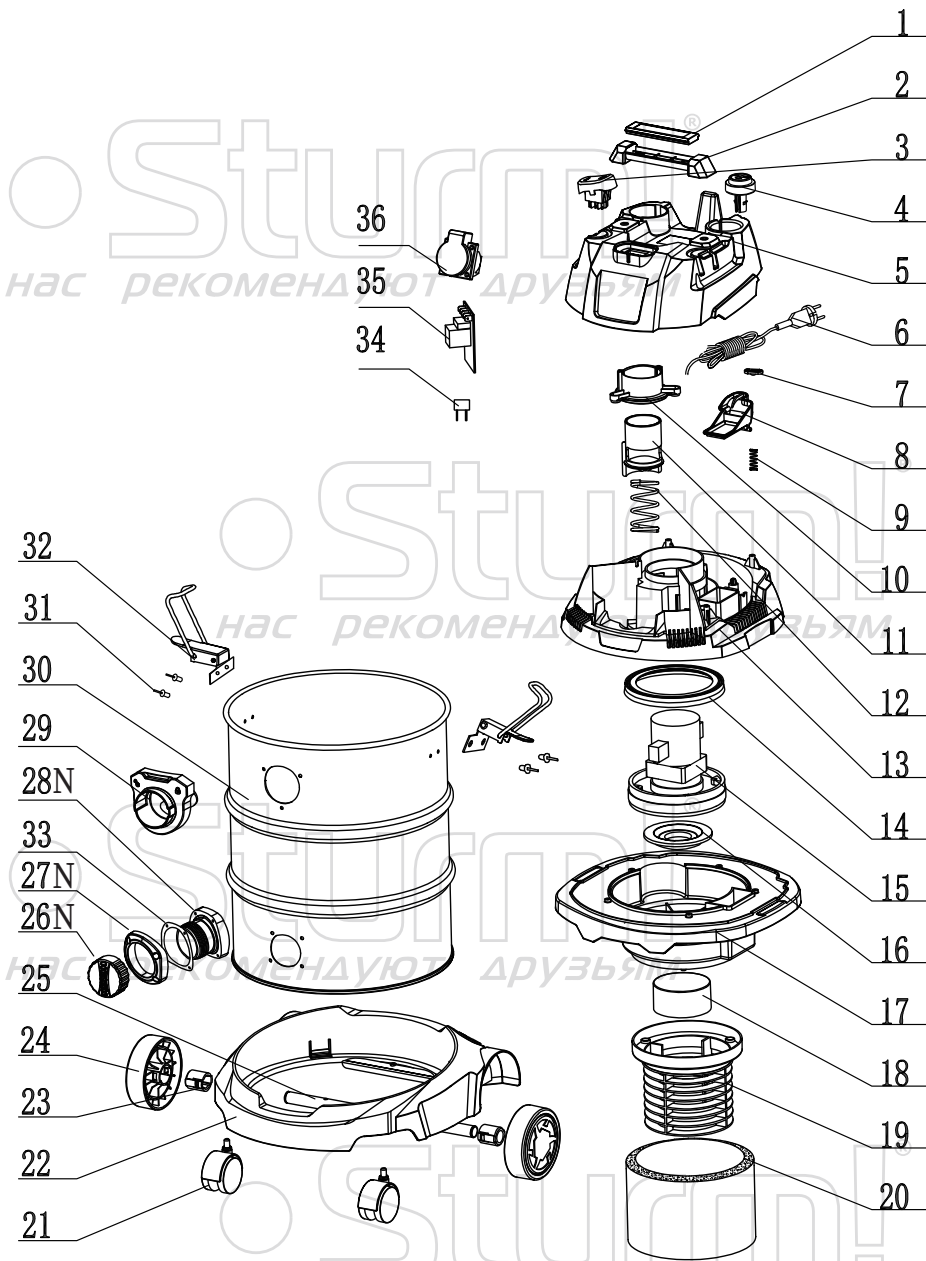


# VC7330



NO.	DESCRIPTION	NO.	DESCRIPTION
1	HANDLE COVER	24	BIG WHEEL
2	FIXED HANDLE	25	AXLE FOR BIG WHEEL
3	WATERPROOF SWITCH	26N	DRAINAGE SCREW
4	DUST SHAKING SWITCH	27N	DRAINAGE
5	DUST SHAKING BUTTON	28N	DRAINAGE BASE
6	POWER CABLE	29	CONNECTION HEAD
7	CABLE BLOCK	30	30L S/S TANK
8	DUST SHAKING BOARD	31	RIVET
9	DUST SHAKING SPRING	32	LOCK
10	BLOWER COVER	33	DRAINAGE SEAL RING
11	BLOWER CONTROLLER	34	CAPACITOR
12	BLOWER SPRING	35	PCB BOARD
13	MID COVER	36	SYNCHRONIZATION POWER SOCKET
14	MOTOR SEAL RING	37	PLASTIC HOSE
15	MOTOR	38	HEPA FILTER
16	MOTOR BLOCK	39	METAL TELESCOPIC TUBE
17	BARREL CAP	41	FLOOR BRUSH
18	SAFETY VALVE	42	ROUND BRUSH
19	BRACKET	43	CREVICE NOZZLE
20	SPONGE FILTER	44	ADAPTER
21	SMALL WHEEL	45	PAPER FILTER BAG
22	BASE	46	CLOTH FILTER
23	WHEEL BLOCK		

VC7330-EX-RU241023

37	38	39	41	42	43	44	45	46